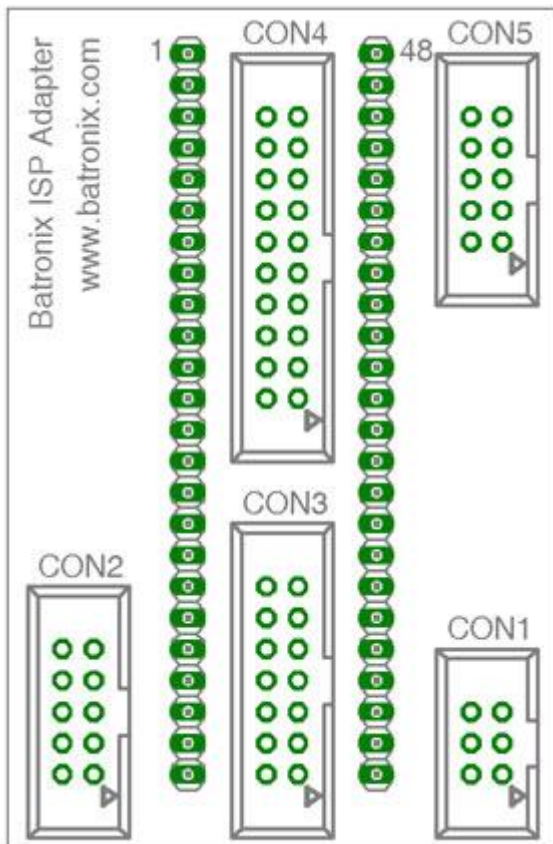


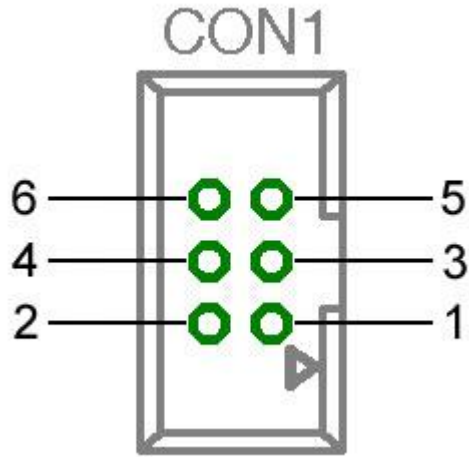
Batronic ISP Adapter

Connector Overview / Anschlussübersicht



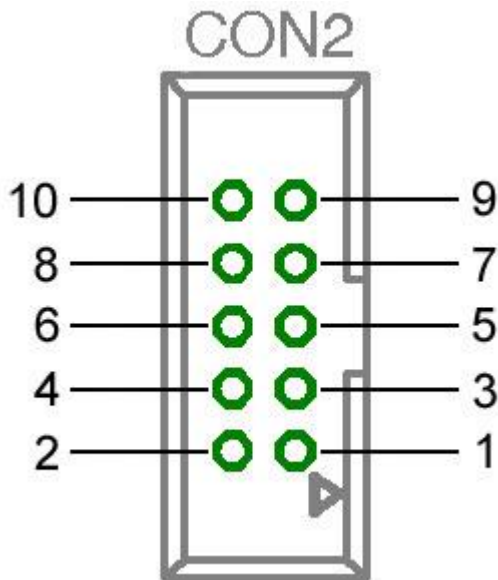
| Connector Anschluss | Description Beschreibung |
|---------------------|---|
| CON1 | 6Pin Connector / Anschluss ATMEL, Motorola, Microchip |
| CON2 | 10Pin Connector / Anschluss ATMEL, Silicon Labs, JTAG, Fujitsu |
| CON3 | 14Pin Connector / Anschluss Reserviert / reserved |
| CON4 | 20Pin Connector / Anschluss Reserviert / reserved |
| CON5 | 10Pin Connector / Anschluss Reserviert / reserved |

ATMEL Devices



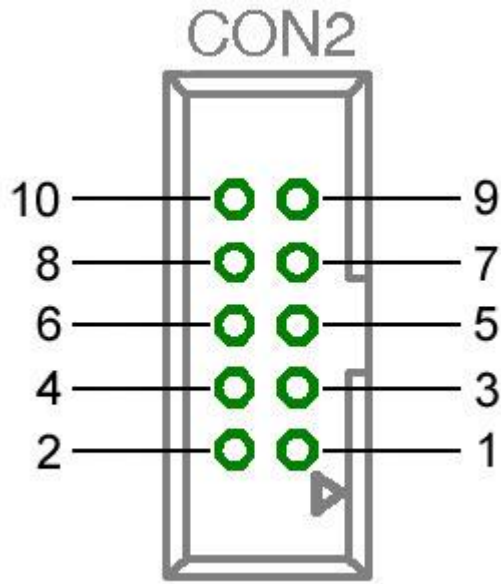
| CON1 Pin | BX48 Pin | Signal |
|----------|----------|--------|
| 1 | 25 | MISO |
| 2 | 24 | VCC |
| 3 | 26 | SCK |
| 4 | 23 | MOSI |
| 5 | 27 | #RESET |
| 6 | 22 | GND |

ATMEL AVR Devices



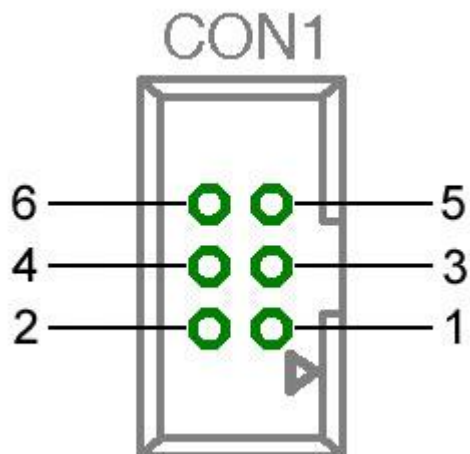
| CON2 Pin | BX48 Pin | Signal |
|----------|----------|--------|
| 1 | 25 | MOSI |
| 2 | 24 | VCC |
| 3 | 26 | NC |
| 4 | 23 | GND |
| 5 | 27 | #RESET |
| 6 | 22 | GND |
| 7 | 28 | SCL |
| 8 | 21 | GND |
| 9 | 29 | MISO |
| 10 | 20 | GND |

ATMEL 89' Devices



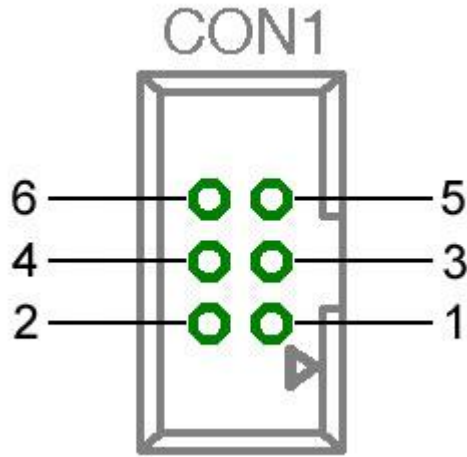
| CON2 Pin | BX48 Pin | Signal |
|----------|----------|--------|
| 1 | 25 | SCK |
| 2 | 24 | GND |
| 3 | 26 | MISO |
| 4 | 23 | VCC |
| 5 | 27 | #RESET |
| 6 | 22 | NC |
| 7 | 28 | NC |
| 8 | 21 | #SS |
| 9 | 29 | MOSI |
| 10 | 20 | GND |

Motorola Devices



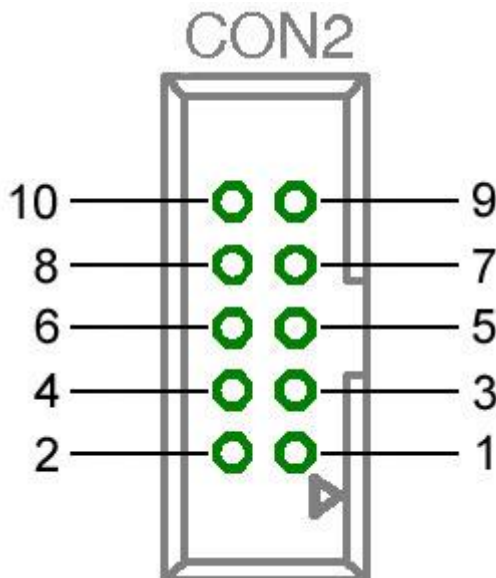
| CON1 Pin | BX48 Pin | Signal |
|----------|----------|--------|
| 1 | 25 | BKGD |
| 2 | 24 | GND |
| 3 | 26 | NC |
| 4 | 23 | #RESET |
| 5 | 27 | NC |
| 6 | 22 | VCC |

Microchip Devices



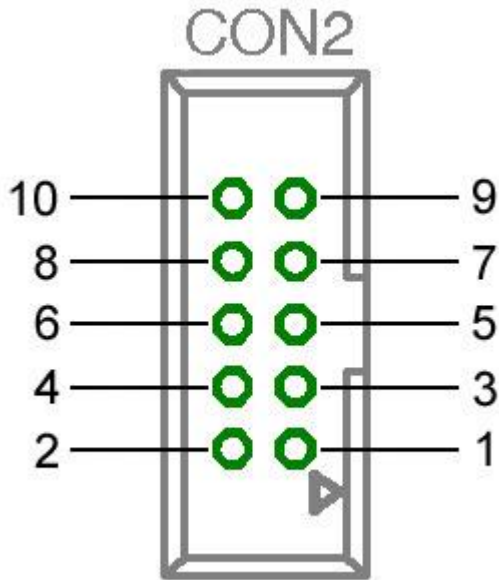
| CON1 Pin | BX48 Pin | Signal |
|----------|----------|--------|
| 1 | 25 | VPP |
| 2 | 24 | VDD |
| 3 | 26 | PGC |
| 4 | 23 | PGD |
| 5 | 27 | GND |
| 6 | 22 | GND |

Silicon Laboratories Devices



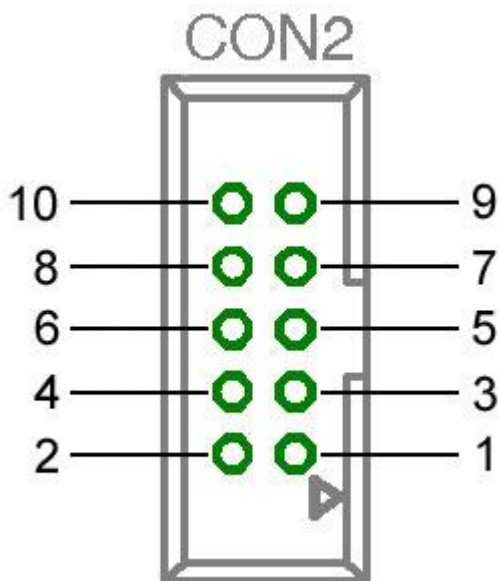
| CON2 Pin | BX48 Pin | Signal |
|----------|----------|--------|
| 1 | 25 | VDC |
| 2 | 24 | GND |
| 3 | 26 | GND |
| 4 | 23 | C2D |
| 5 | 27 | NC |
| 6 | 22 | NC |
| 7 | 28 | C2CK |
| 8 | 21 | NC |
| 9 | 29 | GND |
| 10 | 20 | NC |

JTAG Interface



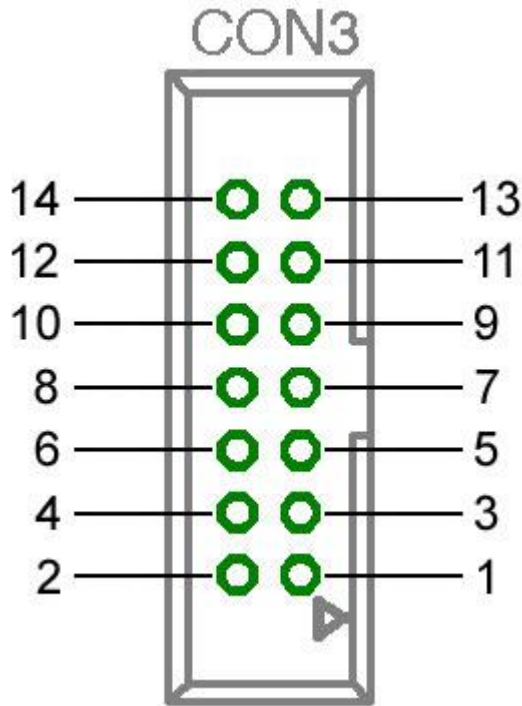
| CON2 Pin | BX48 Pin | Signal |
|----------|----------|--------|
| 1 | 25 | TCK |
| 2 | 24 | GND |
| 3 | 26 | TDO |
| 4 | 23 | VCC |
| 5 | 27 | TMS |
| 6 | 22 | NC |
| 7 | 28 | NC |
| 8 | 21 | NC |
| 9 | 29 | TDI |
| 10 | 20 | GND |

Fujitsu Devices



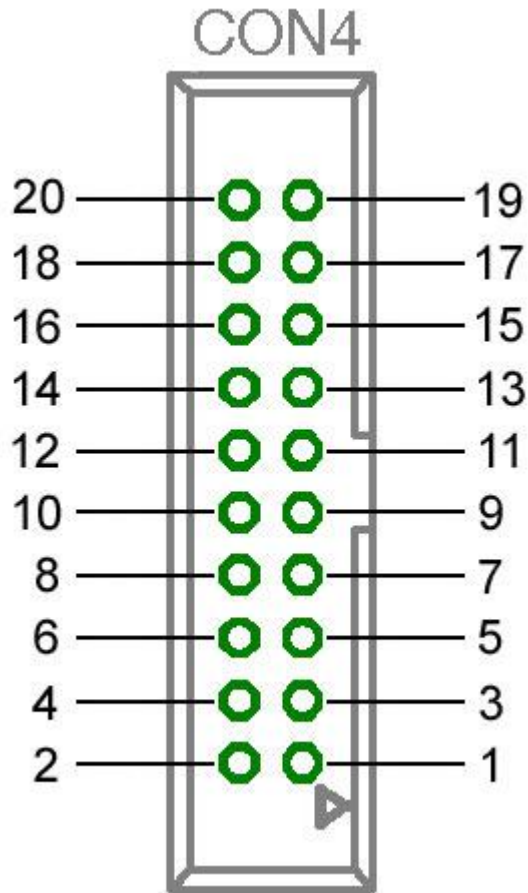
| CON2 Pin | BX48 Pin | Signal |
|----------|----------|--------|
| 1 | 25 | P00 |
| 2 | 24 | P01 |
| 3 | 26 | MD0 |
| 4 | 23 | MD2 |
| 5 | 27 | #RESET |
| 6 | 22 | SIN |
| 7 | 28 | SOT |
| 8 | 21 | SCK |
| 9 | 29 | VCC |
| 10 | 20 | GND |

CON3 – reserved for future use / reserviert



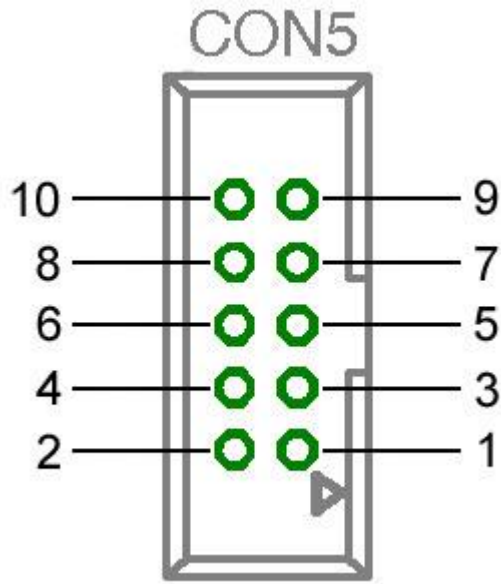
| CON3 Pin | BX48 Pin | Signal |
|----------|----------|--------|
| 1 | 25 | |
| 2 | 24 | |
| 3 | 26 | |
| 4 | 23 | |
| 5 | 27 | |
| 6 | 22 | |
| 7 | 28 | |
| 8 | 21 | |
| 9 | 29 | |
| 10 | 20 | |
| 11 | 30 | |
| 12 | 19 | |
| 13 | 31 | |
| 14 | 18 | |

CON4 – reserved for future use / reserviert



| CON4 Pin | BX48 Pin | Signal |
|----------|----------|--------|
| 1 | 25 | |
| 2 | 24 | |
| 3 | 26 | |
| 4 | 23 | |
| 5 | 27 | |
| 6 | 22 | |
| 7 | 28 | |
| 8 | 21 | |
| 9 | 29 | |
| 10 | 20 | |
| 11 | 30 | |
| 12 | 19 | |
| 13 | 31 | |
| 14 | 18 | |
| 15 | 32 | |
| 16 | 17 | |
| 17 | 33 | |
| 18 | 16 | |
| 19 | 34 | |
| 20 | 15 | |

CON5 – reserved for future use / reserviert



| CON5 Pin | BX48 Pin | Signal |
|----------|----------|--------|
| 1 | 35 | |
| 2 | 14 | |
| 3 | 36 | |
| 4 | 13 | |
| 5 | 47 | |
| 6 | 2 | |
| 7 | 48 | |
| 8 | 1 | |
| 9 | NC | NC |
| 10 | NC | NC |