

HM-AHL02-MM650 Thermography Camera Macro Lens



The HIKMICRO HM-AHL02-MM650 macro lens allows you to spot potential design flaws, evaluate PCB hot spots, and inspect small electronic components. Easily clips onto HIKMICRO M-series thermal imaging cameras.

HIKMICRO HM-AHL02-MM650 macro lens is compatible with the M series thermography cameras.

▪ Key Features

- Min. Focus Distance up to 26.5 mm
- Spatial Resolution (IFOV) , Manual Focus up to 50 $\mu\text{m}/\text{pixel}$, Focus Free up to 100 $\mu\text{m}/\text{pixel}$

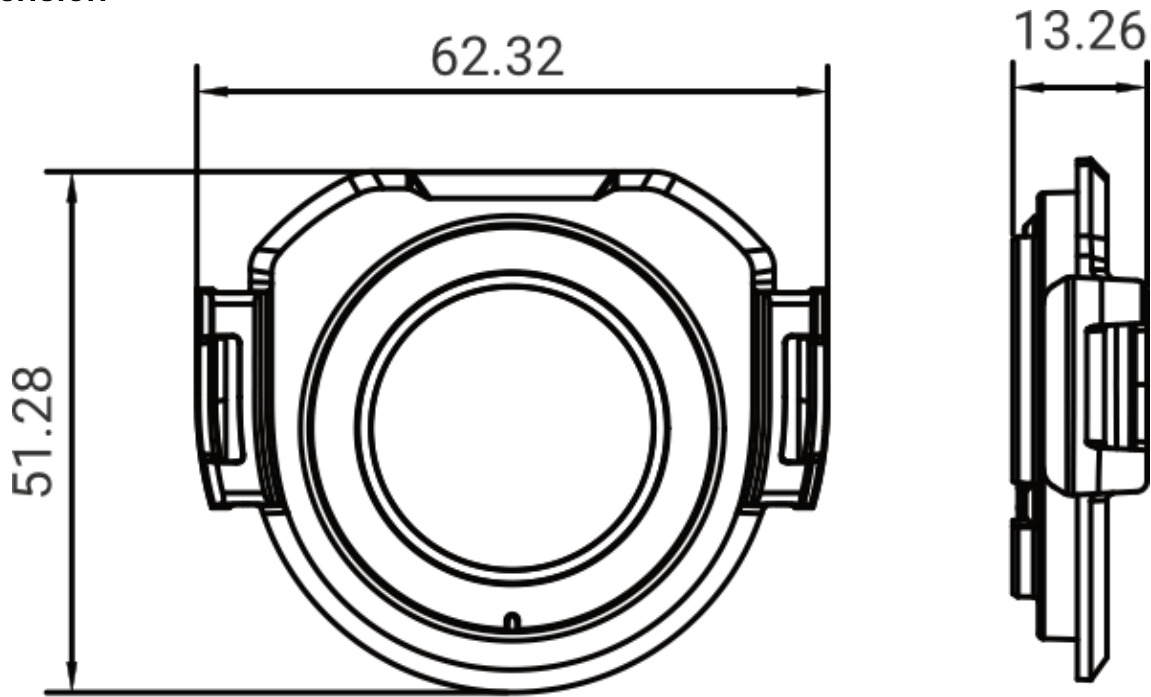
▪ Specification

Infrared Image	
Focal Length	M20/M11: 15.4mm (0.051 ft) M20W/M11W: 5.9mm (0.019 ft) M30: 15.1mm (0.050 ft) M60: 14.7mm (0.048 ft)
FOV (Field of View)	M11: 8.96 mm x 6.72 mm M20: 11.81mm x 8.86mm M11W: 17.51mm x 13.13mm M20W: 23.01mm x 17.26mm M30: 17.74mm x 13.3mm M60: 19.84mm x 14.88mm
Ifov (Spatial Resolution)	manual focus: 50 µm/pixel focus free: 100 µm/pixel
Aperture	1.0
Min. Focusing Distance	26.5 mm
General	
Working Temperature Range	-20°C to 50°C (-4°F to 122°F)
Weight	15 g (0.03 lb)
Dimension	62.32mm×51.28mm×13.26mm (2.45" × 2.02" × 0.52")

▪ Available Model

HM-AHL02-MM650

▪Dimension



Unit: mm

COMPLIANCE NOTICE: The thermal series products might be subject to export controls in various countries or regions, including without limitation, the United States, European Union, United Kingdom and/or other member countries of the Wassenaar Arrangement. Please consult your professional legal or compliance expert or local government authorities for any necessary export license requirements if you intend to transfer, export, re-export the thermal series products between different countries.



 HIKMICRO Thermography  hikmicro_thermography  HIKMICRO Thermography  HIKMICRO  info@hikmicrotech.com  <http://hikmicrotech.com/en>

© Hangzhou Microimage Software Co., Ltd. All Rights Reserved.

*Note: Specifications are subject to change without notice. For the current specs,
please go to www.hikmicrotech.com