

# JBC

[www.jbctools.com](http://www.jbctools.com)

## INSTRUCTION MANUAL



### TM10

ESD Earthing Plug

*for EU Sockets*

This manual corresponds to the following reference:

**TM10**

## Packing List

The following items are included:



**ESD Earthing Plug** ..... 1 unit  
*For EU sockets*

**Manual** ..... 1 unit  
Ref. 0031820

## Application

To equip an EPA (Electrostatic Protected Area) workplace, it can be used, among other items, an ESD earthing plug.

These components help to protect static-sensitive components from electrostatic discharge by dissipating charge from objects placed on their surface. This prevents sensitive components from being damaged by electrostatic discharges.

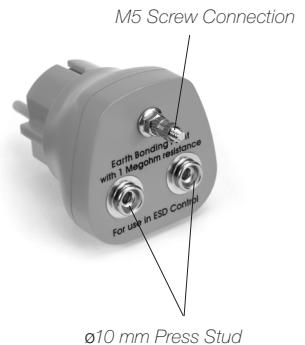
## Features

This ESD earthing plug can be used at ESD protection zones.

When connected accordingly, it discharges static electricity from people or objects to prevent damage by electrostatic discharges to electronic devices and components.

The plug comes in yellow color and is equipped with two  $\varnothing 10$  mm press studs (female) as well as an M5 screw connection.

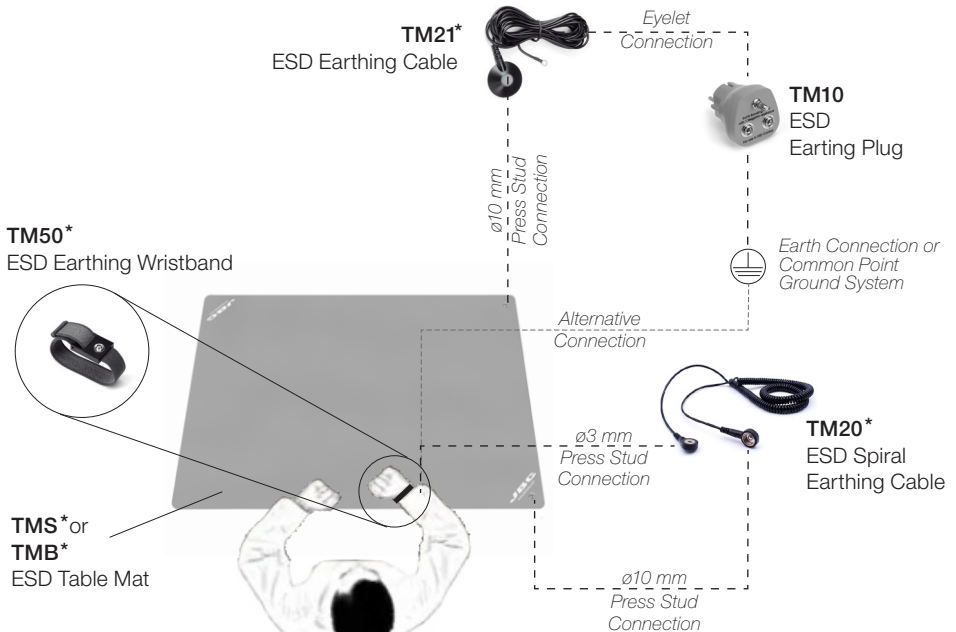
The electrical resistance is  $10^6 \Omega$  at each connector.



## Workplace Connection Example

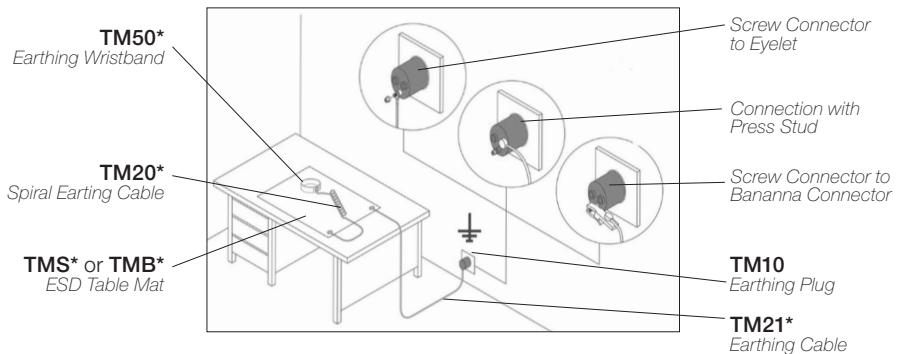
For proper function, plug the ESD grounding plug into an EU socket and connect the connectors - using an ESD grounding cable - to the ESD table mat of the workplace to be protected.

The following matching accessories are sold separately: an ESD table mat, an ESD spiral earthing cable, an ESD earthing wristband, and an ESD earthing cable.



\* not included, sold separately

## Earthing Plug Connection Example



# Specifications

## TM10

### ESD Earthing Plug

Ref.: **TM10**

- |   |  |
|---|--|
| - Socket:                                   | For EU socket  |
| - Connections:                              | ø10 mm press studs (2x) and M5 screw connector (1x)        |
| - Color:                                    | Yellow   |
| - Electrical resistance:                    | 10 <sup>6</sup> Ω for each connector                       |
| - Total Net Weight:                         | 35 g / 0.08 lb   |
| - Package Dimensions/Weight:<br>(L x W x H) | 86 x 57 x 158 mm / 64 g<br>3.39 x 2.24 x 6.22 in / 0.14 lb |

Complies with CE standards.  
ESD Safe.

# JBC

## Warranty

JBC's 2 year warranty covers this equipment against all manufacturing defects, including the replacement of defective parts and labour.

Warranty does not cover product wear or misuse.

In order for the warranty to be valid, equipment must be returned, postage paid, to the dealer where it was purchased.



This product should not be thrown in the garbage.

In accordance with the European directive 2012/19/EU, electronic equipment at the end of its life must be collected and returned to an authorized recycling facility.



[www.jbctools.com](http://www.jbctools.com)