

# RIGOL

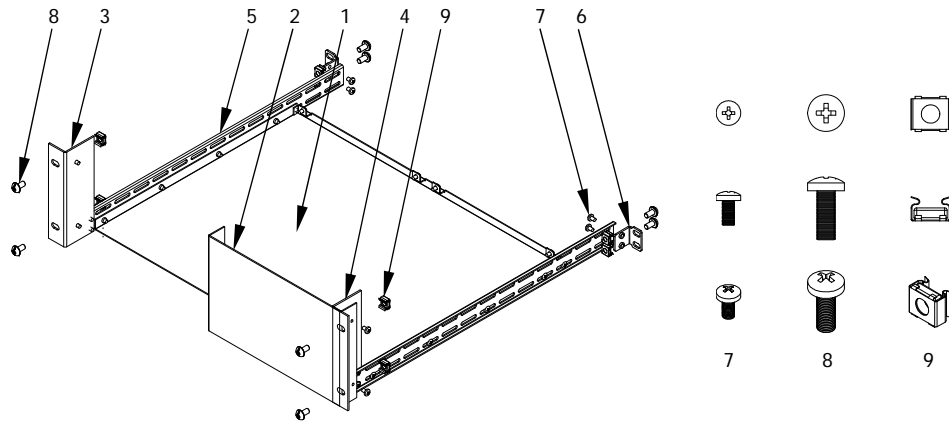
## DP800 Rack Mount Kit

This rack mount kit is designed to mount **RIGOL** DP800 series programmable linear DC power supply into a 19-inch machine cabinet that conforms to the Electronic Industries Association (EIA) standard.

### Kit Part Checklist

| No. | Name               | Qty.                      |                           | Description                   |
|-----|--------------------|---------------------------|---------------------------|-------------------------------|
|     |                    | RM-1-DP800 <sup>[1]</sup> | RM-2-DP800 <sup>[1]</sup> |                               |
| 1   | Bottom Plate       | 1                         | 1                         | --                            |
| 2   | Filler Panel       | 1                         | None                      | --                            |
| 3   | Left Fastener      | 1                         | 1                         | --                            |
| 4   | Right Fastener     | 1                         | 1                         | --                            |
| 5   | Rail               | 2                         | 2                         | --                            |
| 6   | Side Beam Fastener | 2                         | 2                         | --                            |
| 7   | M4 Screw           | 26                        | 26                        | M4x8 Phillips Pan Head Screw  |
| 8   | M6 Screw           | 8                         | 8                         | M6x16 Phillips Pan Head Screw |
| 9   | M6 Nut             | 8                         | 8                         | M6 Square Lock Cage Nut       |

**Note**<sup>[1]</sup>: RM-1-DP800 is designed for installing a single instrument and RM-2-DP800 for two instruments.



### Installation Tool

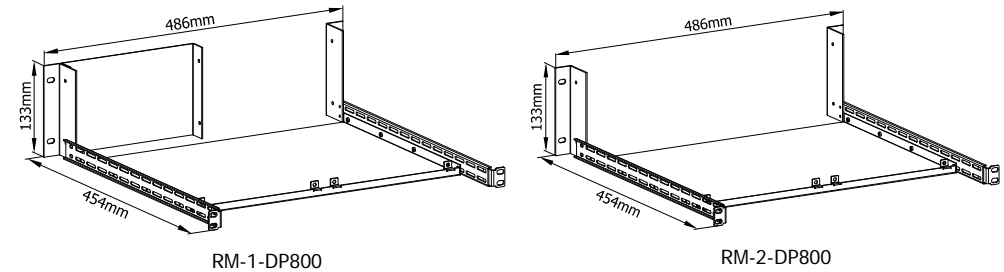
The PH2 Phillips screwdriver is recommended.

### Space Requirements

To mount the instrument into the cabinet correctly, please ensure that the following requirements are met.

- The cabinet must be a standard 19-inch one.
- The available height of the cabinet should be at least 4U (177.8mm).
- The depth of the cabinet should be at least 500mm.

The dimensions of the racks are as shown below.

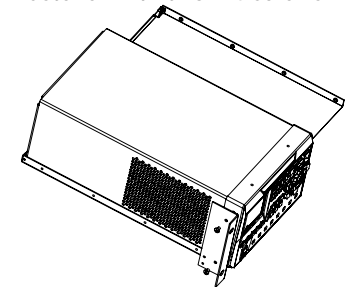
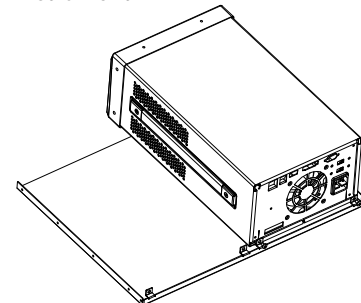


### Installation Procedures

**Caution:** Only authorized operators are allowed to perform the installation. Improper installation might cause damage to the instrument or an installation failure.

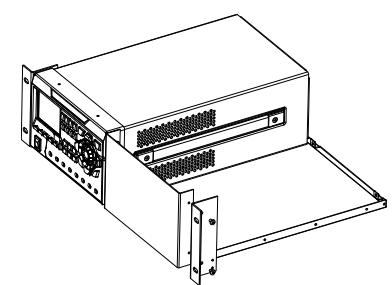
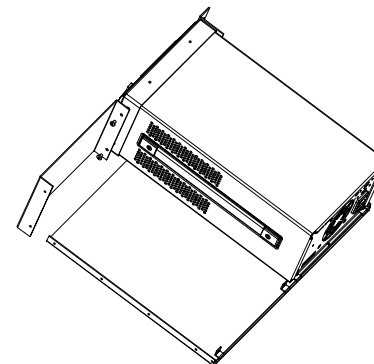
#### Mount a single instrument (Requiring to order RM-1-DP800)

1. Remove four rubber protective covers at the corner of the front panel and four at the corner of the rear panel for the instrument.
2. Place the instrument onto the bottom plate,
3. Attach the left fastener to the left side of the front panel, then secure the left fastener with two M4 screws.

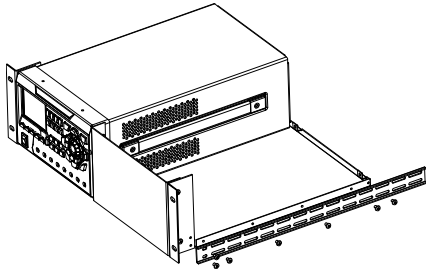


4. Attach the filler panel to the right side of the front panel, then secure the filler panel with two M4 screws.

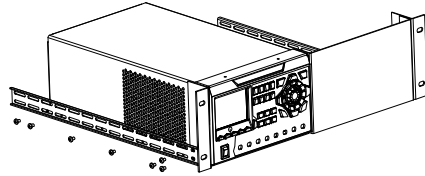
5. Attach the right fastener to the right side of the filler panel, then secure the right fastener with two M4 screws.



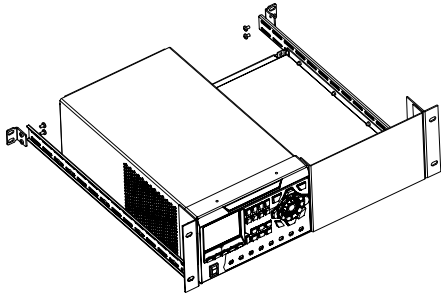
- Attach one rail to the right side of the bottom plate, then secure the rail with seven M4 screws.



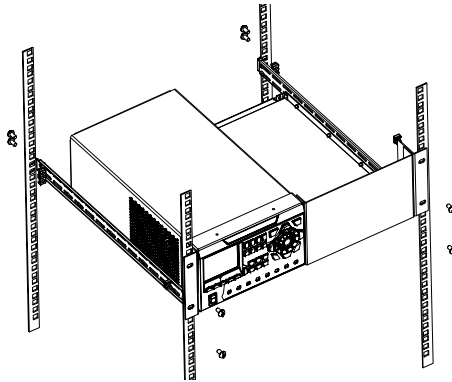
- Attach the other rail to the left side of the bottom plate, then secure the rail with seven M4 screws.



- Attach two side beam fasteners to the end parts of the two rails respectively, then secure the side beam fasteners with four M4 screws.



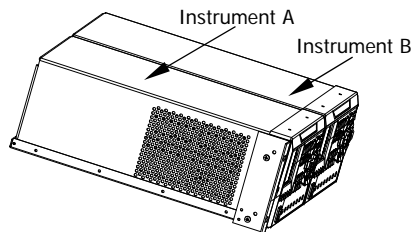
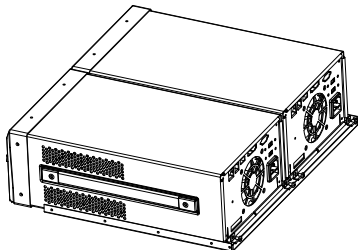
- Mount the assembled instrument and rack into a standard 19-inch cabinet using eight M6 screws and eight M6 nuts.



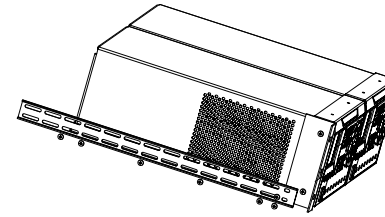
-End-

### Mount two instruments (Requiring to order RM-2-DP800)

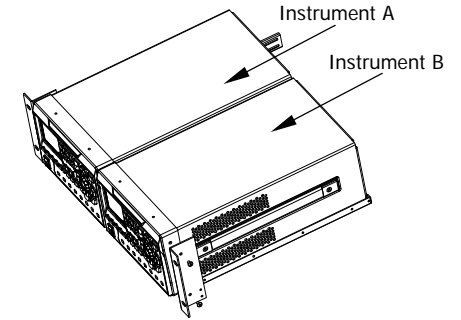
- Remove four rubber protective covers at the corner of the front panel and four at the corner of the rear panel for each instrument.
- Place two instruments onto the bottom plate, then use four M4 screws to fasten the instruments.
- Attach the left fastener to the left side of the front panel of Instrument A, then secure the left fastener with two M4 screws.



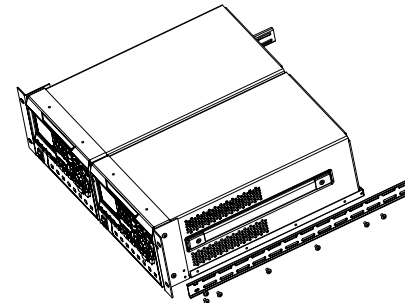
- Attach one rail to the left side of the bottom plate, then secure the rail with seven M4 screws.



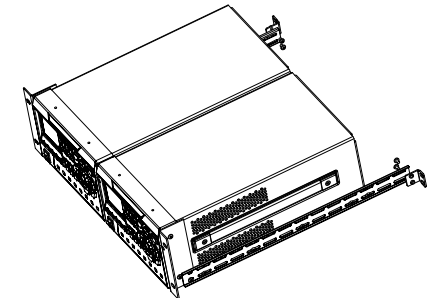
- Attach the right fastener to the right side of the front panel of Instrument B, then secure the right fastener with two M4 screws.



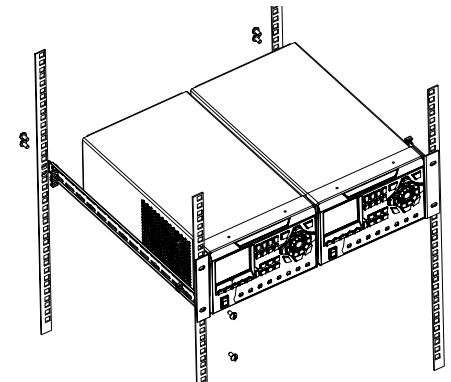
- Attach the other rail to the right side of the bottom plate, then secure the rail with seven M4 screws.



- Attach two side beam fasteners to the end parts of the two rails respectively, then secure the side beam fasteners with four M4 screws.



- Mount the assembled instruments and rack into a standard 19-inch cabinet using eight M6 screws and eight M6 nuts.



-End-