
Quick Start

SDG2000X Series Function/Arbitrary Waveform Generator

QS0202X-E01A

2015 SIGLENT TECHNOLOGIES CO., LTD

Copyright

- ©SIGLENT TECHNOLOGIES CO., LTD. All rights reserved.
- Information in this publication replaces all previous corresponding material.
- SIGLENT reserves the rights to change the specifications and the price.
- Without permission, contents in this manual are not allowed to be copied, extracted or translated.

General Safety Summary

Carefully read the following safety precautions to avoid any personal injuries or damages to the instrument and any product connected to it. To avoid potential hazards, please use the instrument as specified.

Only the qualified technician can service the instrument.

Avoid fire or personal Injure.

Use proper power line.

Use only the special power line which approved by local state.

Ground the Instrument.

The instrument is grounded through the protective terra conductor of the power line. To avoid electric shock, the ground conductor must be connected to the earth. Make sure the instrument is grounded correctly before connecting its input or output terminals.

Connect the signal wire correctly.

The potential of the signal wire ground is equal to the earth, so do not connect the signal wire to a high voltage. Do not touch the exposed contacts or components.

Observe all terminal ratings.

To avoid fire or electric shock, please observe all ratings and sign instruction on the instrument. Before connecting the instrument, please read the manual carefully to gain more information about the ratings.

Do not operate with suspected failures.

If you suspect that the product is damaged, please let a qualified service personnel check it.

Avoid circuit or wire exposure.

Do not touch exposed contacts or components when the power is on.

Do not operate in wet/damp conditions.

Do not operate in an explosive atmosphere.

Keep the surface of the instrument clean and dry.

Safety Terms and Symbols

Terms used on the instrument. Terms may appear on the instrument:

DANGER: Indicates an injury or hazard that may immediately happen.

WARNING: Indicates an injury or hazard that may not immediately happen.

CAUTION: Indicates that a potential damage to the instrument or other property might occur.

Symbols used on the instrument. Symbols may appear on the instrument:



**Hazardous
Voltage**



**Protective
Earth Ground**



Warning



**Chassis
Ground**



**Power
Switch**

Content

General Safety Summary.....	II
Adjust the Handle	1
The Front Panel.....	2
The Rear Panel	11
Touch Screen Display	14
Use Built-In Help System.....	18
Introduction of EasyWave	19
Contact SIGLENT	20

Adjust the Handle

When using the instrument, users can adjust the handle to a needed position which makes it easier to operate and observe.

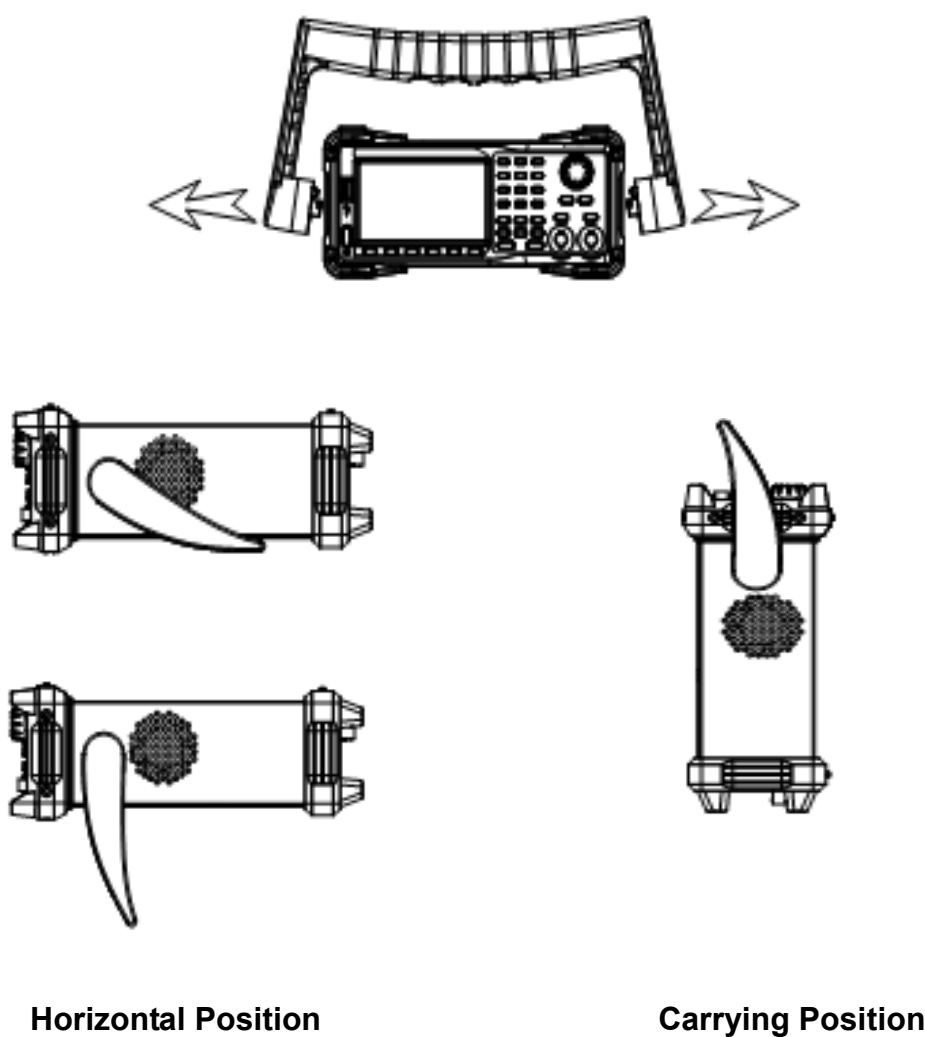


Figure 1 Adjust the Handle

The Front Panel

The figure below shows SDG2000X's front panel composition:

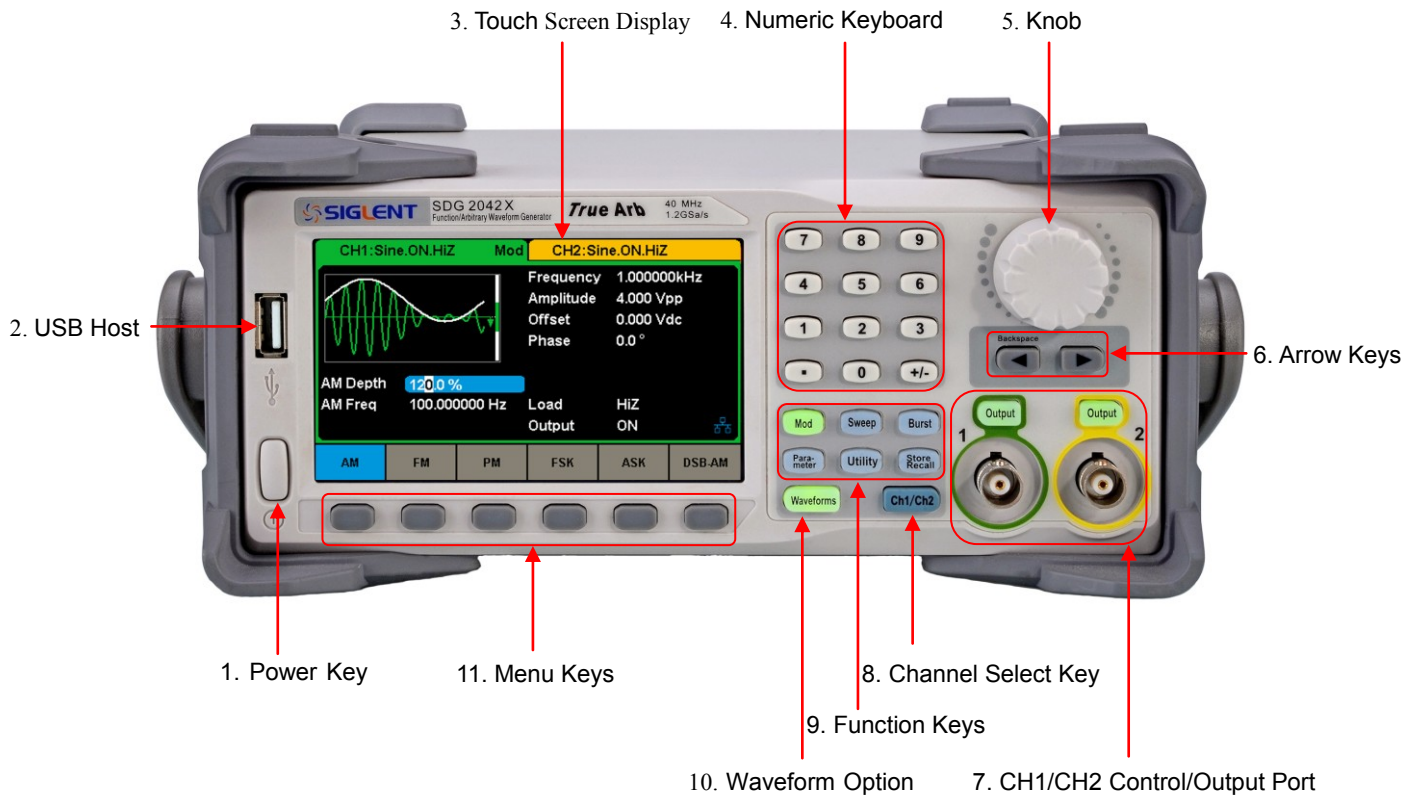


Figure 2 SDG2000X Front Panel

1. Power Key

This key is used to turn on/off the SDG2000X. When the power key is off, SDG2000X is in the power off state.

2. USB Host

SDG2000X supports U-Disk using FAT format. It's used to read waveforms or state files from a U-Disk or store the current state

of the instrument to the U-Disk.

Users can update the firmware through U-Disk.

3. Touch Screen Display

SDG2000X has a 4.3 inch TFT-LCD touch screen, which displays current function menu, parameter settings, system state, prompts, etc. It is the most important display and control center of the instrument. For detailed information, please refer to “**Touch Screen Display**”.

4. Numeric Keyboard

Consists of numbers from 0 to 9, radix points “.” and symbol keys “+/-”, which are used to input parameters.

Note: To enter a negative number, you need to enter a symbol “-” at first.

5. Knob

It is used to increase (clockwise) or decrease (counterclockwise) the current numerical value when setting parameters.

It is also used to switch characters in the soft keyboard when inputting a file name.

When saving or reading files, rotate the knob to choose a

position to save a file or choose a file to be read; press the knob to open a selected folder or file.

When choosing **Waveforms** → **Page 1/2** → **Arb** → **Arb Type** rotate the knob to select a desired built-in or stored waveform.

6. Arrow Keys

When using knob to set parameters, they are used to select the digit to be modified.

When using numeric keyboard to set parameters, the left arrow key is used as a Backspace function.

When inputting a file name, they are used to move the position of cursor.

7. Channel Control Area

CH1 Control/Output Key

The **Output** key on the left is used to turn on/off CH1 output.

The nominal output impedance of the BNC connector is 50Ω.

When pressing **Output** (the key backlight turns on), the connector outputs waveform according to the current configuration of CH1.

CH2 Control/Output Key

The **Output** key on the right is used to turn on/off CH2 output.

The nominal output impedance of the BNC connector is 50Ω.

When pressing **Output** (the key backlight turns on), the connector outputs waveform according to the current configuration of CH2.



CAUTION:

Overvoltage protection of CH1 and CH2 will take effect once any of the following conditions is met. When overvoltage protection occurs, a message will be displayed and the output is disabled.

- The absolute value of input voltage is higher than $11V \pm 0.5V$ when the amplitude of the generator is higher than or equal to 3.2Vpp or the DC offset is higher than or equal to $|2V_{DC}|$.
- The absolute value of input voltage is higher than $4V \pm 0.5V$ when the amplitude of the generator is lower than 3.2Vpp or the DC offset is lower than $|2V_{DC}|$.

Choose **Utility** → **Page 1/2** → **OverVoltage Protection** to turn on/off the function.

8. Channel Select Key

This key is used to switch the current selected channel between CH1 and CH2.

9. Function Keys

Mod ---- **Modulation**

This key is used to enable the modulation screen and allow for several types of modulation. It generates AM, DSB-AM, FM, PM,

ASK, FSK and PWM modulated signals.

- It supports “Internal” and “External” modulation sources.
- The corresponding key backlight will turn on when this function is selected.

Sweep ----**Sweep**

This key is used to generate sweeping frequency signals of Sine, Square, Ramp and Arbitrary.

- It supports “Linear” and “Log” sweep profiles.
- It supports “Internal”, “External” and “Manual” trigger sources.
- The corresponding key backlight will turn on when this function is selected.

Burst ----**Burst**

This key is used to generate burst signals of Sine, Square, Ramp, Noise and Arbitrary.

- It supports “NCycle”, “Gated” and “Infinite” burst modes.
- Noise can only be used to generate gated burst.
- It supports “Internal”, “External” and “Manual” trigger sources.
- The corresponding key backlight will turn on when this

function is selected.

Parameter ---- **Parameter Setting**

Users can switch directly to the parameter setting interface by pressing the key.

- The corresponding key backlight will turn on when this function is selected.

Utility ---- **Utility Functions and System Settings**

This key is used to set system parameters and check version information.

- Press this key and then press the help softkey to obtain built-in help information about the product.
- The corresponding key backlight will turn on when this function is selected.

Store/Recall ---- **Store and Recall**

Through this key, users can store/recall the instrument's state or arbitrary waveform data edited by users.

- As it supports file management system, users can do general file operations.
- In addition to the built-in nonvolatile memory (C disk), an

external U-Disk (D disk) can also be used.

- The corresponding key backlight will turn on when this function is selected.

10. Waveform Option

Waveforms ---- **Sine**

Provide sine waveform output which ranges from 1 μ Hz to 100MHz.

- The backlight of **Waveforms** will turn on when this function is selected.
- “Frequency/Period”, “Amplitude/High level”, “Offset/Low level” and “Phase” of the sine waveform can be adjusted.

Waveforms ---- **Square**

Provide square waveform output which ranges from 1 μ Hz to 25MHz.

- The backlight of **Waveforms** will turn on when this function is selected.
- “Frequency/Period”, “Amplitude/High level”, “Offset/Low level”, “Phase” and “Duty” of the square waveform can be adjusted.

Waveforms ---- **Ramp**

Provide ramp waveform output which ranges from 1 μ Hz to 1MHz.

- The backlight of **Waveforms** will turn on when this function is selected.
- “Frequency/Period”, “Amplitude/High level”, “Offset/Low level”, “Phase” and “Symmetry” of the ramp waveform can be adjusted.

Waveforms ---- **Pulse**

Provide pulse waveform output which ranges from 1 μ Hz to 25MHz.

- The backlight of **Waveforms** will turn on when this function is selected.
- “Frequency/Period”, “Amplitude/High level”, “Offset/Low level”, “Pulse width/Duty”, “Rise/Fall” and “Delay” of the pulse waveform can be adjusted.

Waveforms ---- **Noise**

Provide White Gauss Noise output with a bandwidth of 120MHz.

- The backlight of **Waveforms** will turn on when this function is

selected.

- “Stdev” and “Mean” of the noise signal can be adjusted.

Waveforms ---- **Arb**

Provide arbitrary waveform output which ranges from 1μHz to 20MHz.

- The backlight of **Waveforms** will turn on when this function is selected.
- Support two output modes: “DDS” and “TrueArb”.
- Built-in waveforms include Cardiac, Gausspuls, ExpRise and ExpFall, etc. In addition, the output waveform stored on the U-Disk can be outputted.
- Users can edit arbitrary waveforms through EasyWave and download them to the instrument.
- “Frequency/Period”, “Amplitude/High level”, “Offset/Low level” and “Phase” of the arbitrary waveform can be adjusted.

11. Menu Keys

These keys correspond to the menu displayed above them on the display. Press any key to activate the corresponding menu.

The Rear Panel

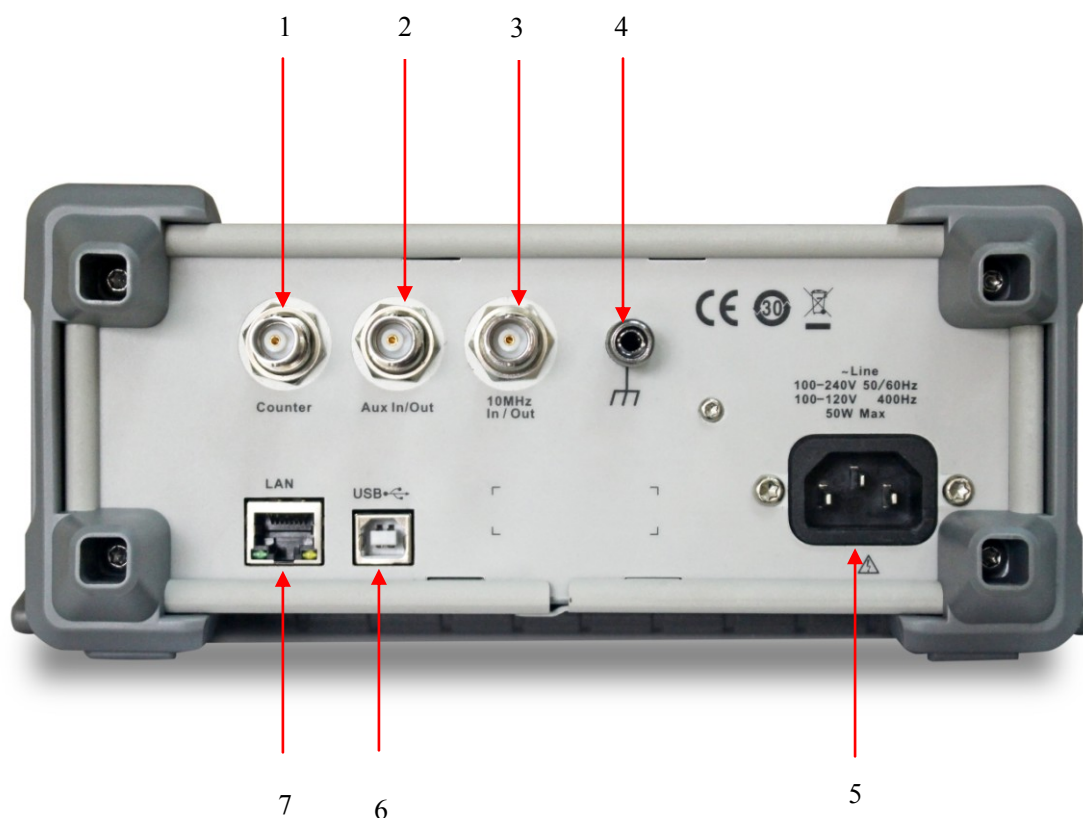


Figure 3 SDG2000X Rear Panel

1. Counter

BNC connector. The input impedance is $1M\Omega$. This connector is used to accept the signal measured by the frequency counter.

2. Aux In/Out

BNC connector. The function of this connector is determined by the current work mode of the instrument.

- Sweep/Burst trigger signal input port of external trigger.

- Sweep/Burst trigger signal output port of internal/manual trigger.
- Burst gating trigger input port.
- ASK/FSK external modulation signal input port.
- Synchronization output port. When synchronization is on, the port can output a CMOS signal with the same frequency as basic waveforms (except Noise and DC), arbitrary waveforms, and modulated waveforms (except external modulation).
- AM, DSB-AM, FM, PM and PWM external modulation signal input port.

3. 10MHz Clock Input/Output Port

BNC connector. The function of this connector is determined by the type of the clock source.

- If the instrument uses internal clock source, the connector outputs the 10MHz clock signal generated by the crystal oscillator inside the generator.
- If the instrument uses external clock source, the connector accepts an external 10MHz clock source.

4. Earth Terminal

Used to ground the instrument.

5. AC Power Supply Input

SDG2000X can accept two different types of AC input power.

AC power: 100-240V, 50/60Hz or 100-120V, 400Hz

Fuse: 1.25A, 250V

6. USB Device

Used when connecting the instrument to an external computer to allow waveform editing (such as EasyWave) and remote control.

7. LAN Interface

Through this interface, the generator can be connected to your computer or network for remote control. An integrated testing system may be built, as the generator conforms to the VXI-11 class standard of LAN-based instrument control.

Touch Screen Display

SDG2000X can only display parameters and waveform of one channel at a time. The picture below shows the interface when CH1 chooses AM modulation of sine waveform. The information displayed may vary depending on the function selected.

The entire screen of the SDG2000X is a touch screen. You can use your finger or touch pen to control the instrument. Most functions and selections can be chosen using the touch screen in a similar manner to the front panel keys and knob.

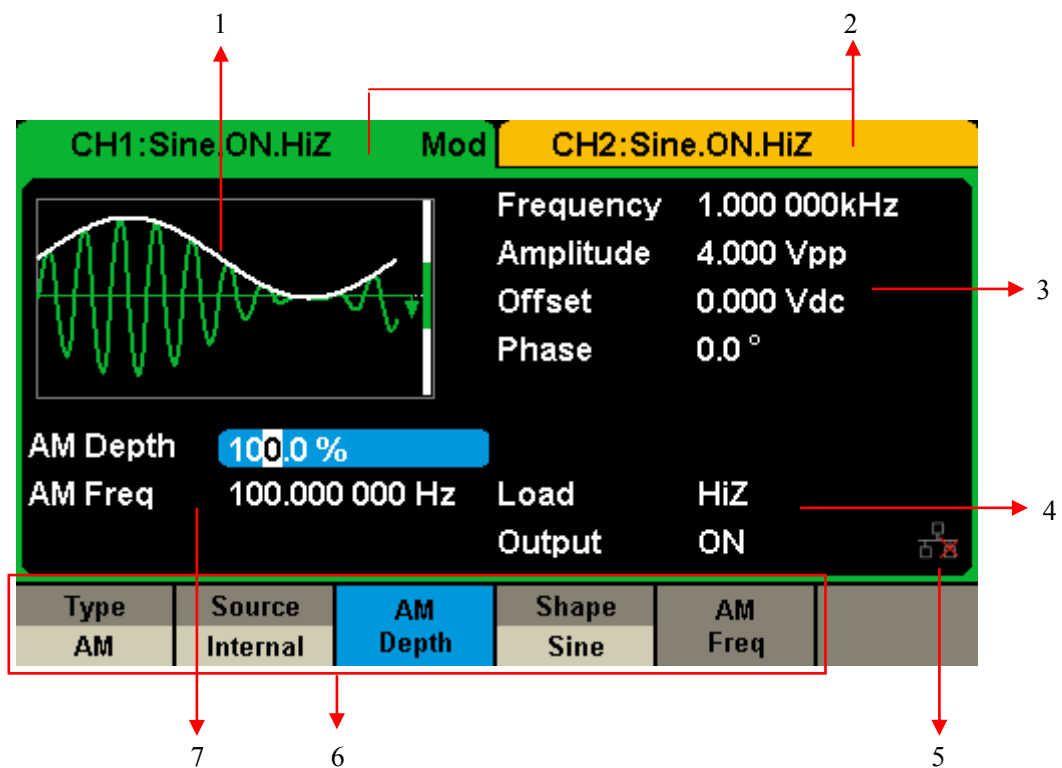


Figure 4 Touch Screen Display

1. Waveform Display Area

Shows the currently selected waveform of each channel. The key backlight will turn on when this area of the touch screen is clicked.

2. Channel Status Bar

Indicates the selected status and output configuration of the channels. Touch this area of the screen to switch to the corresponding channel. If you touch again, the shortcut menus of function keys will be recalled: Mod、Sweep、Burst、Parameter、Utility and Store/Recall.

3. Basic Waveform Parameters Area

Shows the current waveform's parameters of each channel. Touch this area of the screen to highlight the parameter you want to configure, use number keys or knob to change the parameter value.

4. Channel Parameters Area

Displays the current selected channel's load and output settings.

Load ----Value of the output load, as selected by the user.

After choosing the parameter to highlight it, use the softkeys, number keys or knob to change the parameter value.

High Impedance: display HiZ.

Load: display impedance value (the default is 50Ω and the range is 50Ω to 100kΩ).

Note: This setting does not actually change the instrument's output load impedance of 50Ω but rather is used to maintain amplitude accuracy into different load values.

Output ----Channel output state.

After touching this area of the screen or pressing corresponding channel output control port, you can turn on/off the current channel.

5. LAN Status Icon

SDG2000X will show different prompt messages based on the current network status.



This mark indicates LAN connection is successful.



This mark indicates there is no LAN connection or LAN connection is unsuccessful.

6. Menu

Touch here for the menu corresponding to the displayed function. For example, the picture above shows the parameters

of “AM modulation”. After touching the menu on the touch screen to choose the corresponding parameter, use number keys or knob to change the parameter value.

7. Modulation Parameters Area

Shows the parameters of the current modulation function. After touching this area of the screen or pressing corresponding menu, use number keys or knob to change the parameter value.

Use Built-In Help System

To obtain built-in help information of the product, please press **Utility** key first, then press **Page 1/2** and **Help**, use the knob to choose the help item you want, finally press **Select** to obtain help information.

The common help information is listed as the following:

1. System information.
2. Generating a standard waveform.
3. Generating an arbitrary waveform.
4. Generating a modulated waveform.
5. Sweep function.
6. Burst function.
7. Store/Recall.
8. Synchronizing multiple instruments.
9. Restoring factory settings.
10. Technical support.

Introduction of EasyWave

Arbitrary editing software EasyWave provides 9 standard waveforms: Sine, Square, Ramp, Pulse, ExpRise, ExpFall, Sinc, Noise and DC, which meets most engineers' basic needs. In addition, it provides several ways of manual drawing, point-to-point line drawing and arbitrary point drawing. EasyWave allows for fast and easy creation of complex waveforms.

The main interface of EasyWave is shown as the following figure.

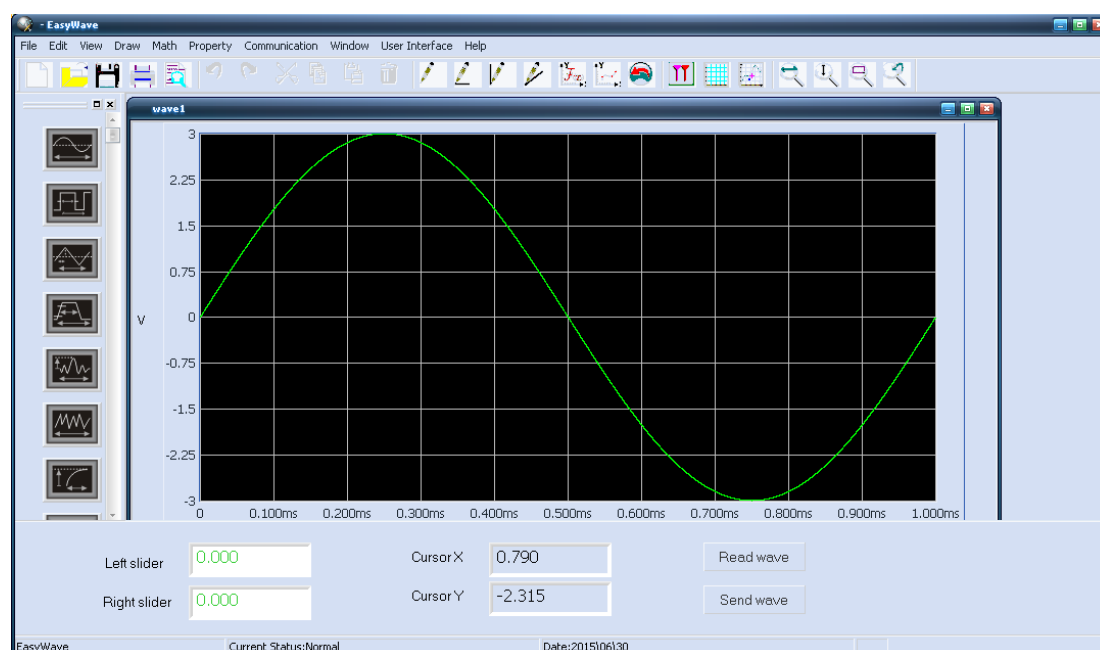


Figure 5 EasyWave Interface

Contact SIGLENT

SIGLENT TECHNOLOGIES CO., LTD

Address: 3/F, NO.4 building, Antongda Industrial Zone, 3rd Liuxian
Road, 68th District, Baoan District, Shenzhen, P.R.
China

Tel: 400- 878 -0807

E-mail: sales@siglent.com

[http: //www.siglent.com](http://www.siglent.com)